

GEVA Vision Appliance



GEVA Vision System

Benefits

- Expandable camera solution drives down system cost
- Supports GigE area or line cameras with mono or color sensors
- High-performance, multi-core processor for demanding applications
- Dedicated interfaces for setup and runtime control
- Choice of application software to suit user need and experience
- Full complement of vision capabilities and factory communication options
- Small form factor enclosure

Overview

Multi Camera Vision Appliance

GEVA is a high-performance industrial controller that offers excellent cost savings for multi-camera vision applications, such as final inspection of large assemblies. As the name implies, GEVA provides expandable Gigabit Ethernet camera interfaces that significantly drive down system cost.

At the heart of GEVA is a powerful dual core processor, equipped with high-speed memory resources to tackle the most demanding applications. Two dedicated camera ports are provided, each with enough bandwidth to support simultaneous inspection from eight 640x480 mono cameras. GEVA camera ports are compatible with a resolution range of mono or color, area and line scan GigE cameras.

Aside from camera interfacing, GEVA provides a number of external interfaces for system integration. It includes dedicated display and USB ports for setup and runtime control, a third Gigabit Ethernet port and a serial port for factory communication, dedicated trigger inputs for inspection timing, dedicated strobe outputs for lighting control and optoisolated I/O for associated equipment interfacing.

Vision solutions on GEVA are setup using Teledyne DALSA's iNspect or Sherlock application software. The iNspect software is easy to use and requires little or no prior vision experience, while the Sherlock software offers greater flexibility to tackle more challenging inspection tasks. Both packages offer a full complement of tools, together with interfacing and control options for both users and equipment. For performance migration, applications built on other Teledyne DALSA equipment with the same camera setup will also run on GEVA.

Fully functional software emulators are installed on GEVA to allow users to develop or debug applications offline. The emulator maximizes machine up time during application development and maintenance.

GEVA Vision Appliance



GEVA Vision System

Specifications

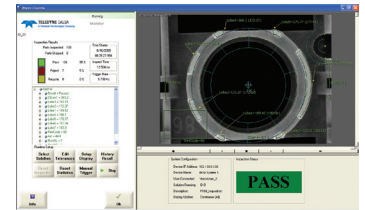
- Storage: 320GB
- Program: 2GB
- CPU: 2.4Ghz Dual Core
- Camera Ports: GigE x2
- Comm: GigE, RS232, USB (x2)
- Display: VGA
- Inputs: 8 + 2 triggers
- Outputs: 8 + 2 strobes
- Power: 12-30V
- Temp: 0-45C
- Mount: DIN Rail
- Size: 20 x 12 x 8 cm
- Compliance: CE, RoHS

Application Software Choices

iInspect

iInspect offers a simple point and click interface that allows users to rapidly setup and deploy vision solutions. iInspect's logical program flow and practical tools appeal to both experienced and new users alike.

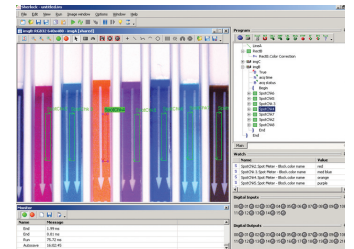
Teledyne DALSA P/N: GV1000-03



Sherlock

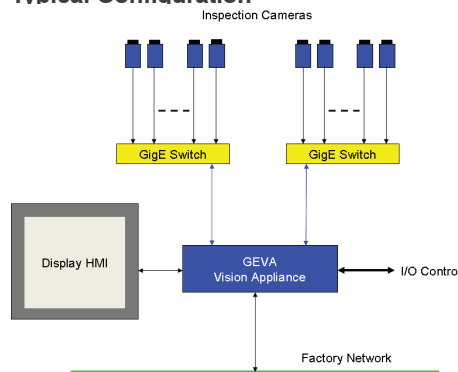
Sherlock offers additional flexibility and advanced features for tackling challenging applications. Its programmability and customization appeal to the more experienced vision integrators. Sherlock allows mixing of camera technologies within the same application.

Teledyne DALSA P/N: GV1000-04



General Both software products offer a full suite of vision tools and capabilities to satisfy a broad range of automated tasks.

Typical Configuration



* Basic connections shown

www.teledynedalsa.com

Americas

Boston, USA
+1 978-670-2000
sales.americas@teledynedalsa.com

Europe

Munich, Germany
+49 8142-46770
sales.europe@teledynedalsa.com

Asia Pacific

Tokyo, Japan
+81 3-5960-6353
sales.asia@teledynedalsa.com

Shanghai, China
+86 21-3368-0027
sales.asia@teledynedalsa.com